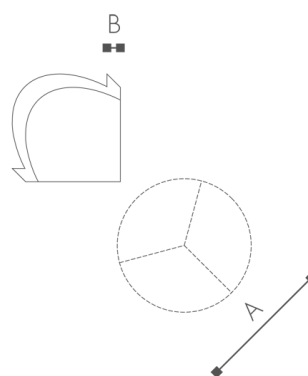


# Nomapack CUT CORNER

## Narożniki ochronne z pianki polietylenowej

### NOMAPACK CUT CORNER



Type	A mm	B mm	Density kg/m <sup>3</sup>	Packaging unit	Pcs/ Ctn	m <sup>3</sup> / Ctn	Item code	pln/100pcs
100-10	100	10	30 +/-4	1900 p/ctn	1900	0,44	KPCR100109001	
100-15	100	15	30 +/-4	1500 p/ctn	1500	0,44	KPCR100159001	
100-20	100	20	30 +/-4	1100 p/ctn	1100	0,44	KPCR100209001	
75-10	75	10	30 +/-4	3900 p/ctn	3900	0,44	KPCR075109001	
75-15	75	15	30 +/-4	2750 p/ctn	3750	0,44	KPCR075159001	
75-20	75	20	30 +/-4	2000 p/ctn	2000	0,44	KPCR075209001	